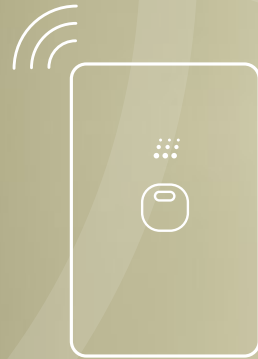


# Let's get connected.

## Light Dimmer.



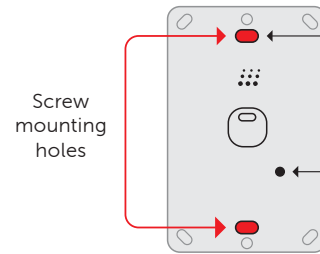
### 1

## Important - Read before installing.



Must only be installed by a **LICENSED ELECTRICIAN** to local wiring regulations. Failure to follow these instructions can result in serious injury or death.

This is a semiconductor switching device, the mains power **MUST BE SWITCHED OFF** before performing any wiring or maintenance work.



### AVOID THE RISK OF ELECTRIC SHOCK

Once the product has been fastened to the wall, ensure the supplied screw caps are placed firmly into the screw mounting holes.

### Factory Reset.

Remove the cover and press the RESET button until the Powermesh indicator flashes blue. Release the button and when the indicator turns blue, it's ready to pair.

### 2

## Specifications

Part Number: **PMLD, PMLDBK**

Line Voltage Frequency: **50Hz Nominal**

Load Brightness Control Range:  
**1% to > 95% (load dependent)**

Rated Load:  
**Maximum Load 1A @ 250V / 250W**

Minimum Load: **2W**

*Due to the variety of LED lamps / transformers / CFLs, the maximum load and performance will be specific to the product make and model.*

## Compatible load types



Dimmable LED Drivers & Lamps



Electronic transformers



Standard iron core & toroidal transformers



Incandescent



Dimmable CFLs



Powermesh products must only be connected with the **Active and Neutral from the same RCD.**

**Surge protection is recommended** at the main switchboard. Products that are damaged by power surges are not covered by warranty.

### 3

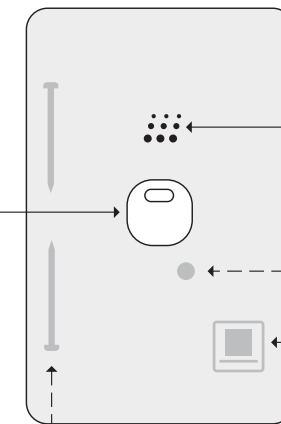
## Using the Light Dimmer.

### Light Dimming Button with mini brightness indicator.

- Press x 1 - on /off.
- Press & hold to dim.
- Press x 2 - full brightness
- Press x 3 - timed fade to off.



Set device Min & Max dimming levels in Zimi 'Settings' to avoid flicker if necessary.



### Powermesh Status Indicator

See overleaf for the meaning of each colour status.

### Reset Button

**MAC ID**  
Unique product serial number.

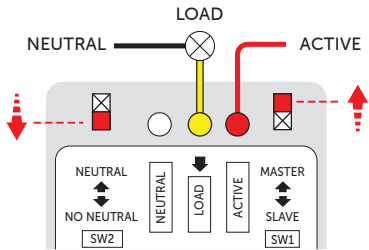
Mounting screws

Snap on cover

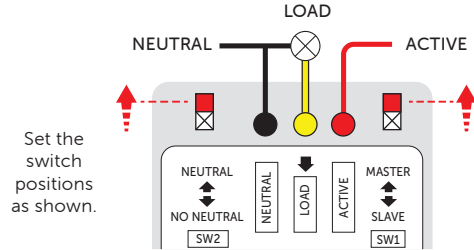
4

Choose your wiring installation.

2 Wire without Neutral



3 Wire with Neutral

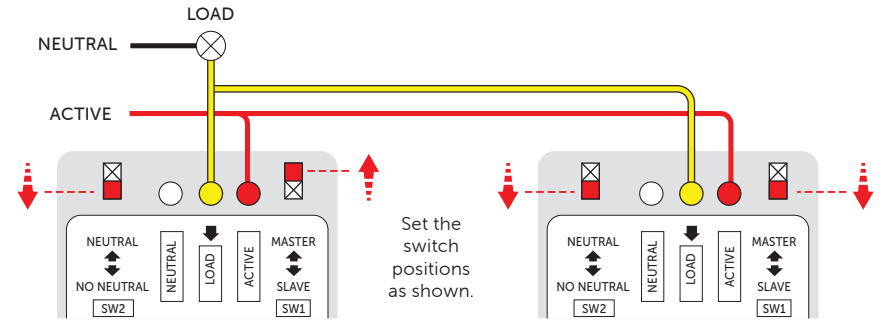


Set the switch positions as shown.

5

Two Way Switching

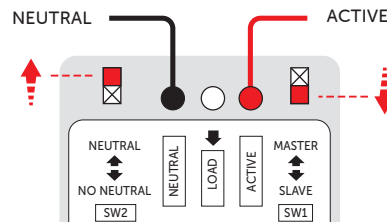
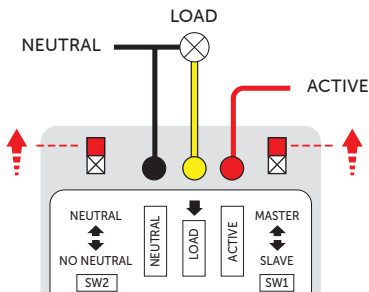
2 Wire without Neutral



6

Two Way Switching

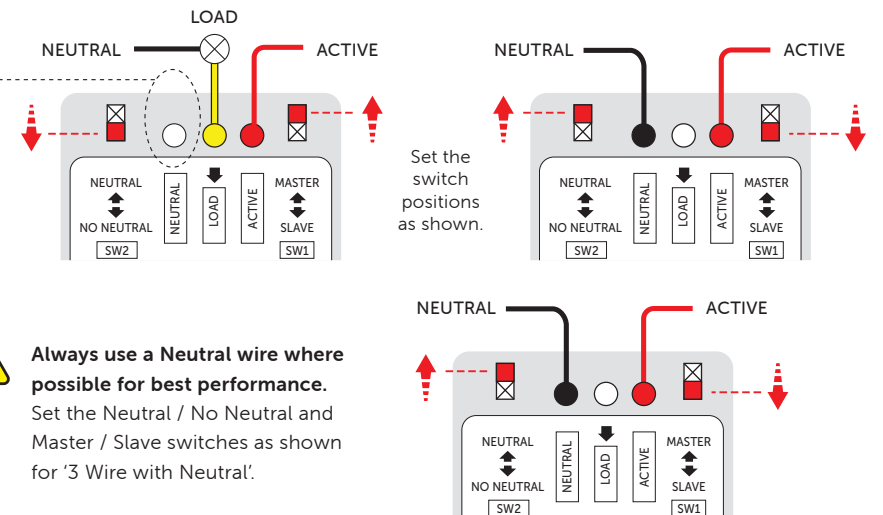
3 Wire with Neutral



**For multi-way switching** only use multiple Powermesh Light Dimmer switches with master & slave configurations. Never wire with normal switches for multi-way switching.

7

Three Way Switching



**Always use a Neutral wire where possible for best performance.** Set the Neutral / No Neutral and Master / Slave switches as shown for '3 Wire with Neutral'.

8

## Pair and setup with Zimi.

zimi®

- Download the Zimi App.
- Choose 'Add Device'.
- Follow the on screen instructions.



### Zimi App Download

Point your phone camera at the QR code to open the app store.



9

## Zimi Cloud Connect.

Enjoy the full experience with all your Powermesh devices.



Remote access anywhere.



Voice control hands free.



Energy history over time.

Requires Wi-Fi with Internet connection.

10

## Want to learn more or need help?

Enjoy all the features and make your life easier. Visit our website for tips, tricks and help.

[support.zimi.life](https://support.zimi.life)



### Behaviour Link

Control a switch from another switch.



### Schedules

Turn it on and off any day or time.



### Energy Use

Monitor the power usage and cost.



### Auto off Timer

Turn it off automatically.

11

## Powermesh Status Indicator



Blue

### Ready to pair.

'Add device' in Zimi to pair and complete setup.



White

### Setup is complete.

This device has been paired and setup completed.



White pulsing

### Action in progress.

This lets you know an automatic function is being activated.



Blue & White pulsing

### Identify device.

This shows the device when updating its settings.



Red

### Device problem.

Please refer to support to resolve the problem.

Off

If the device is working, the indicator has been 'turned off' in device settings.

**Manufacturer's Warranty** This product has been manufactured to the highest quality standards. This product is warranted to the original purchaser and is not transferable. The product is guaranteed to be free from defects in workmanship and parts for a period of 1 Year from the date of purchase. Defects that occur within this warranty period, under normal use and care will be repaired, replaced or refunded. The benefits conferred by this warranty are in addition to all other rights and remedies of the consumer under a Commonwealth, State and Territory laws in relation to the goods or services to which this warranty relates and Australian Consumer Law. Risk in regard to the product to be repaired shall at all times remain with the Purchaser. The warranty is given on the condition that the product to which it applies is used for the purpose and in the manner intended by its construction and for no other purposes whatsoever. GSM Innovations Pty Ltd shall not be responsible for damage of any kind, caused by accidents, power surges, electrical storm damage, incorrect power current, infestation (vermin or insect), incorrect installation, incorrect electricity or plumbing installation, improper use of controls or failure to use the unit in accordance with the operating instructions, general misuse or abuse or from normal wear and tear. Any attempt by an unauthorised person to repair or tamper with the equipment shall render the warranty null and void. Goods presented for repair under this warranty may be replaced by refurbished goods of the same type rather than being repaired. Refurbished parts may be used to repair the goods. GSM Innovations Pty Ltd's liability under this warranty is limited to the replacement and/or repair of the defective parts within the warranty period and does not extend to installation or removal of the product. Acceptance of liability by GSM Innovation Pty Ltd contained herein is to the exclusion of any other remedy whatsoever and howsoever arising in respect of any equipment to which it applies.

**Proof of Purchase** Please keep your purchase docket or receipt as proof of purchase and as proof of the date on which the purchase was made. The purchase docket or receipt must be presented with the warranty when making a claim under this warranty. Failure to produce documentary proof of the date of original acquisition by the original Purchaser will result in a charge being levied for work done, labour and parts supplied. Likewise a charge will be made for any calls following warranty claim where no fault is found with the unit.

**Service during the warranty period** The first point of contact for product issues is the place of purchase. The product must be returned to the original place of purchase for product repair, replacement or refund. Please ensure the product is properly packaged so as to ensure that no damage occurs to the product during transit and make sure that you have included an explanation of the problem. In the event of goods requiring repair under manufacturer's warranty the owner is responsible for the cost of transportation. Should the goods be found to be in sound working order the owner might be charged a fee. This warranty is given by GSM Innovations Pty Ltd, 14 Millennium Circuit, Helensvale, QLD 4212

**Safety Warnings** Read all instructions and safety information. All electrical work must only be undertaken after disconnection of the power by removing fuses or turning off the circuit breaker, to ensure all pole disconnection from the electrical supply. All electrical work must be carried out by a licensed and qualified electrician and in accordance to AS/NZS 3000 Wiring Rules and applicable

local authority regulations. This product is not intended for use by persons (including children) with reduced physical, sensory or mental capabilities, or lack of experience and knowledge, unless they have been given supervision or instruction concerning use of the product by a person responsible for their safety. Young children should be supervised to ensure that they do not play with the unit. Do not cut or notch joists, beams and rafters to install the unit. Do not damage hidden electrical wiring or utilities when cutting. The product must be installed so that switches and other controls cannot be touched by a person in the bath or shower. Do not install the product in a location where water will splash onto it. Check and confirm that all connections are proper and secure to prevent causing property damages or injury. Do not install outdoor where it could be exposed to water or moisture (indoor use only).

**Trademarks** Zimi and Powermesh and their respective logos are registered trademarks of GSM Innovations Pty Ltd. Google and Google Play are trademarks of Google LLC. Amazon, Alexa and all related logos are trademarks of Amazon.com, Inc. or its affiliates. Apple, the Apple logo, Apple Watch and iPhone are trademarks of Apple Inc., registered in the U.S. and other countries. App Store is a service mark of Apple Inc., registered in the U.S. and other countries.

Copyright © 2021 GSM Innovations Pty Ltd. All rights reserved.

The Zimi logo consists of the word "zimi" in a lowercase, sans-serif font. Above the letters "i", "m", and "i" are four colored dots: green, blue, red, and yellow.

14 Millennium Circuit  
Helensvale QLD 4212  
Australia.  
[www.zimi.life](http://www.zimi.life)

The Powermesh logo features the word "powermesh" in a lowercase, sans-serif font. The "o" is blue, and "power" is in a lighter blue. The "m" and "e" are green, and "sh" is in a darker green. To the right of the text is a graphic of a grid of dots, with some dots colored in blue and green.